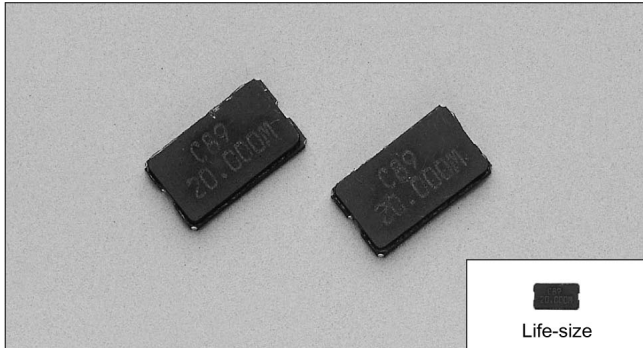


AT-CUT CRYSTAL UNIT (SMD • Ceramic Package)

RoHS Compliant Standard

CS10

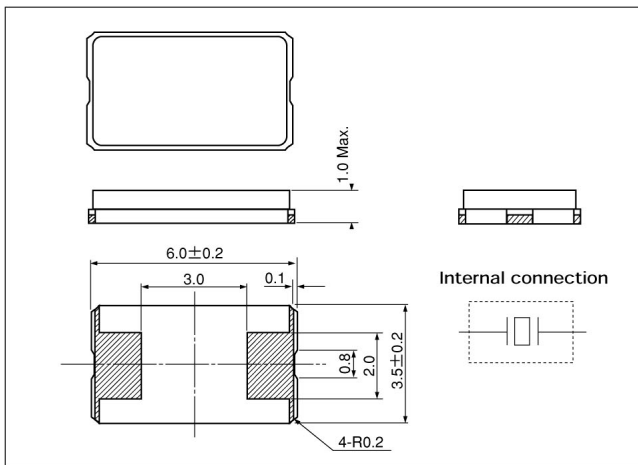
2000pcs/reel



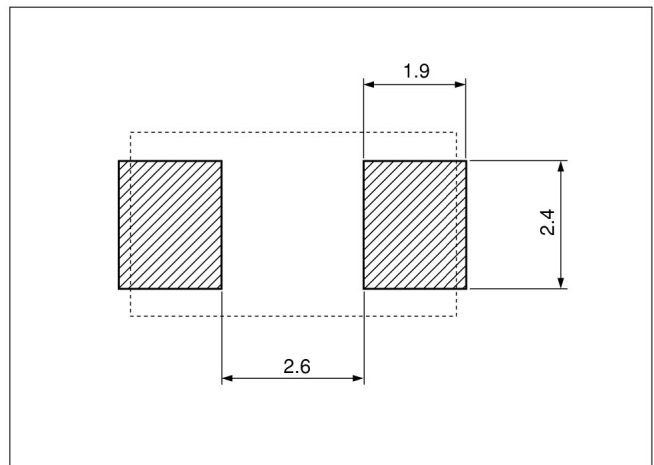
FEATURES

- High-density SMD type.
- Reliable ceramic package and excellent environmental characteristics.
- Suitable for various applications such as communication devices, AV devices and other equipment.

DIMENSION [mm]



SOLDER PAD LAYOUT [mm]



STANDARD SPECIFICATIONS

Item	Model	CS10	Conditions
Nominal Frequency	f_0	12.0MHz~50.0MHz (Fundamental)	Need to contact us for the available frequency
Frequency Tolerance	$\Delta f/f_0$	±30ppm	at 25°C
Frequency Tolerance over Operating Temperature Range	$\Delta f/f_0$	±50ppm	-10°C ~ +60°C
Operating Temperature Range	T_{OPR}	-40°C ~ +85°C	
Storage Temperature Range	T_{STR}	-55°C ~ +125°C	
Motional (series) resistance	R_1	Refer to the following table	at 25°C
Load capacitance	C_L	18.0pF	Need to specify your requirement
Shunt capacitance	C_0	7.0pF Max.	
Level of drive	D_L	50 μW	
Insulation Resistance	I_R	500MΩ Min.	DC100V±15V
Aging (first year)	$\Delta f/f_0$	±5ppm Max.	25°C ±3°C

MOTIONAL (SERIES) RESISTANCE (R_1)

Frequency Range	12.0MHz ≤ f_0 < 14.0MHz	14.0MHz ≤ f_0 ≤ 50.0MHz
R_1	70 Ω Max.	50 Ω Max.